

✓ FF      Pro. #2

Student Technology Fee Grant Funding Request Form  
Northwestern State University of Louisiana

2006.011

Proposal Number

5-27586

Committee # 3

Prepared by: John M. Byrd, Leeann Sticker Department Biological Sciences

College or Unit: Science and Technology Campus: Leesville/ Fort Polk

Information Systems review by \_\_\_\_\_ Date 10/19/05

**1. Describe target audience. (0 points)**

- All students on the Leesville/Fort Polk campus
- BIOL 1010 - Biological Principles I
- BIOL 1020 - Biological Principles II
- ZOOL 1220 - Human Anatomy
- ZOOL 1230 - Human Physiology
- SCI 1020- Basic Concepts of Biological Sci I
- SCI 2020- Basic Concepts of Biological Sci II
- MATH 1020 - College Algebra
- VTEC 1020 - Medical Terminology
- ENGL 920 - Basic Comp & Grammer
- ENGL 1010 - Composition & Rhetoric I
- ENGL 1020 - Composition & Rhetoric II
- SPCH 1010 - Fundamentals of Speech

**2. Describe project/initiative for which you are requesting funds. (10 points)**

To purchase Multimedia Cabinet with equipment included for classroom 8

**3. State measurable objectives that will be used to determine the impact/effectiveness of the project. (10 points)**

To provide optional uses for this class room as a multimedia, or just and ordinary lecture classroom. This will help offset losing classroom 5, which is being utilized by NSU's nursing program for compressed video use.

**4. Indicate how each project objective will be evaluated. (10 points)**

This project can be evaluated by survey of students and faculty in the various classes that utilize Rm 8.

**5. Provide a justification for funding of the project. Estimate the number of students that will be served per academic year and in what ways. Please indicate also any unique needs of the target group. 10 points)**

Classroom 8, at the present time has no equipment for multimedia use in it. It has been wired for such equipment but funding has not been available.

We have 800 students on the Leesville/Fort Polk campus which possibly could benefit from this equipment. It would improve classroom interaction and environment greatly if multimedia equipment was available to take advantage of the supplements textbook web sites offer.

**6. How will funding of the project advance the University and College / unit technology plan? Which NStep objective/s will this funding benefit? (15 points)**

Funding of this project will advance the following NSTEP objectives:

1. To improve access to technology by students, faculty, and staff at NSU
2. To provide classrooms with updated technology and multimedia.

This project will advance both the campus at Leesville/Fort Polk and the College of Science and Technology's technology as they both emphasize multimedia educational enhancement.

**7. List those individuals who will be responsible for the implementation of the project/initiative and indicate their demonstrated abilities to accomplish the objectives of the project. (0 points)**

No assistance will be needed. Equipment would be installed by supplier when delivered. Tommy Tilley and the authors will be responsible for implementation of the project

**8. Describe any personnel (technical or otherwise) required to support the project/initiative. (5 points)**

Any technical support would be provided by Mr. Tommy Tilley.

**9. Provide a schedule for implementation and evaluation. (5 points)**

Upon arrival of equipment and setup we will incorporate the new resources in to the classes. Survey to be implemented at the end of every semester.

**10.. Estimate the expected life of hardware and software. Explain any anticipated equipment/software upgrades during the next five years. (0 points)**

The expected life would be five to seven years.

**11. Explain in detail a plan and policy that will be in place to ensure property security / controls for any equipment received. Equipment will not be purchased until an acceptable policy is in place to ensure equipment security. ( 15 points )**

Room 8, is a controlled access room governed by the NSU key policy. This lab is only open during class time while instructors are present. The Smart board is controlled by NSU username and password.

**12. Attach a detailed budget, including: specs., description, cost, state contract number, and vendor for each item; cost of outside personnel; and a description of how the proposal will support University/College/unit resources (i.e., cash match, funds from other sources, or reallocation of existing hardware/software or equipment). ( 20 points )**

**Budget for the Purchase of Smart Expression 503 ( Mobile Multimedia Cabinet and included equipment ) for classroom 8 Leesville campus**

Description	Vendor/Vendor Catalog Number	Cost*
Smart Expression 503 Multimedia Cabinet with specified equipment listed on quotation # 2139 which is attached	Detel Computer Solutions 10434Plaza Americana Baton Rouge, La. 70816	Item amounts listed on proposal #2139
		<b>Total: \$9,532.95</b>

**13. Attach a letter of support for the project signed by the requesting unit's Dean, the appropriate Vice President (for non-academic units), or the SGA President from the requesting campus (for student requests).**

*9 337.95*





**NORTHWESTERN  
State University**

A Member of the University of Louisiana System

3329 University Parkway  
Leesville, Louisiana 71446

Leesville Campus

Telephone (337) 392-3100

FAX (337) 392-3183

e-mail: [www.nsula.edu/leesville/](http://www.nsula.edu/leesville/)

---

October 24, 2005

Student Technology Fee Grant  
Selection Committee

Dear Committee:

Please know that I fully support the Student Technology Fee grant proposal submitted by Mr. John Byrd to create a Multimedia classroom on the Leesville Campus. Studies show that students learn through various modes on instruction and that the use of technology is a good method to reach more learning styles. Methods on instruction impossible for teachers to use without technology become not only possible, but convenient with the proper equipment.

Focusing this technology on instruction for biological sciences and other disciplines is desired because of the tremendous impact these disciplines have on the quality of student life. Since approximately 800 students take courses on this campus every year, the impact on students would be considerable.

At a cost of less than \$12 per student per year, the cost effectiveness of the proposal is certainly an attractive plus. Equipping a smart classroom for this campus would be a wise use of Student Technology Fees. Please consider this proposal positively.

Sincerely,

Larry E. Monk, E. Ed.

Executive Director, NSU-Leesville/Fort Polk

Detel Computer Solutions  
 10434 Plaza Americana  
 BATON ROUGE LA 70816  
 UNITED STATES  
 Tel: (225)-.952.9430  
 Fax: (225)-.952.9432

318-452-1635  
 Brad

PROPOSAL	
SQ-2139	10/19/2005

\*2139\*

Customer	Contact	Ship To
Northwestern State University 715 College Avenue NATCHITOCHES LA 71457	Northwestern State University Thomas Tilley 715 College Avenue NATCHITOCHES LA 71457 UNITED STATES Tel: (318)-3575594	Northwestern State University Thomas Tilley 715 College Avenue NATCHITOCHES LA 71457 UNITED STATES Tel: (318)-3575594

Account	Terms	Due Date	Account Rep	Schedule Date	
65	NET 30	11/18/2005	Brian Fontenot	10/19/2005	
Quotation	PO #	Reference	Ship VIA	Page	Printed
SQ-2139			Company Delivery	1	10/19/2005 4:51:02PM

L	Item	Description	Qty	Price	M	Discount	Amount
1	SMART-SE1-503	Smart Expression 503 Multimedia Cabinet	1	\$4,999.00	EA		\$4,999.00
2	SMART-GRANT-SE1	Smarter Kids grant for Expressions 503	1	\$-1,250.00	EA		\$-1,250.00
3	SH	SHIPPING/HANDLING	1	\$320.00	EA		\$320.00
4							
5	Smart-ID250	Smart Technology Symposium - ID250	1	\$2,499.00	EA		\$2,499.00
6	Smart-Grant-Sym	Smarter Kids Grant for Symposium	1	\$-450.00	EA		\$-450.00
7	SH	SHIPPING/HANDLING	1	\$43.00	EA		\$43.00
8							
9	PRO-81p-EPSON	Epson Powerlite 81p 2000 Lumens Projecto	1	\$1,659.00	EA		\$1,659.00
10		With a host of high-preformance features, plus XGA resolution, the Epson Powerlite 81p is the ideal solution for virtually any presentation. Its flexible connectivity, plus powerful 5-watt audio, makes this projector perfect for any classroom or boardroom. Epson high-aperture LCDs work with its brilliant2000 AnSI lumens to deliver accrate color, superior color saturation and remarkable image quality in any setting. And, with four input connections, an intuitive menu and remote control, plus automatic source selection, setup and operation couldn't be easier! Just plug it in, and you're ready. Wtih whisper-quiete operation and unbeatable reliability, the Epson 81p ensures quality presentations that really make the grade.					

						Page	1
						Sub Total	7,820.00

Detel Computer Solutions  
 10434 Plaza Americana  
 BATON ROUGE LA 70816  
 UNITED STATES  
 Tel: (225)-.952.9430  
 Fax: (225)-.952.9432

PROPOSAL	
SQ-2139	10/19/2005

\*2139\*

Customer	Contact	Ship To
Northwestern State University 715 College Avenue NATCHITOCHES LA 71457	Northwestern State University Thomas Tilley 715 College Avenue NATCHITOCHES LA 71457 UNITED STATES Tel: (318)-3575594	Northwestern State University Thomas Tilley 715 College Avenue NATCHITOCHES LA 71457 UNITED STATES Tel: (318)-3575594

Account	Terms	Due Date	Account Rep	Schedule Date	
65	NET 30	11/18/2005	Brian Fontenot	10/19/2005	
Quotation	PO #	Reference	Ship VIA	Page	Printed
SQ-2139			Company Delivery	2	10/19/2005 4:51:02PM

L	Item	Description	Qty	Price	M	Discount	Amount
11		State Contract# 405031 Line# 08018					
12							
13	DALITE-85672	Advantage Manual Square Format Screen	1	\$599.00	EA		\$599.00
14		8' x 8' ADVANTAGE MANUAL WITH CONTROLLED SCREEN RETURN SQUARE FORMAT					
15							
16	MISC	RCA DVD/VCR Combo	1	\$129.95	EA		\$129.95
17							
18	CASE-TW1	CasEdge Toolless Chassis Mid Tower Blk	1	\$940.00	EA		\$940.00
19	CPU-3.4/P4-550	Intel P4 Processor 3.4GHz 800FSB LGA775	1		EA		
20	RAM-512-DDR2	512MB x 1 DIMM - DDRII	1		EA		
21		533 MHz / PC2-4200					
22	HD-WD-80SATA	WESTERN DIGITAL 80GB SATA HDD	1		EA		
23	DVD-DVDRW-Black	Sony Black 16x DVDRW Optical Drive	1		EA		
24	FDD-Teac	Teac Floppy Disc Drive - Black	1		EA		
25	NET-WG311-NG	Netgear WG311 PCI Wireless NIC 802.11g	1		EA		
26	KB-Blk-Logitech	Logitech Black Value Keyboard	1		EA		
27	MS-Opt-Blk-Logi	Logitech Black Optical Value Mouse	1		EA		
28	Soft-XPro	Microsoft XP Professional CD and License	1		EA		
29	SOFT-Off03-Pro	Microsoft Office 2003 Professional	1		EA		
30		Includes Access 2003 ,Excel 2003, Outlook 2003 w/ Business Contact Manager Update, Power Point 2003, Publisher 2003, Word 2003					
31	SRG-Trip-TLP404	Tripp Lite 4 Socket Surge Protector	1		EA		
32	SH	SHIPPING/HANDLING	1		EA		

Page	2
Sub Total	1,668.95
Running Sub Total	9,488.95

Detel Computer Solutions  
 10434 Plaza Americana  
 BATON ROUGE LA 70816  
 UNITED STATES  
 Tel: (225)-.952.9430  
 Fax: (225)-.952.9432

PROPOSAL	
SQ-2139	10/19/2005

**\*2139\***

Customer	Contact	Ship To
Northwestern State University 715 College Avenue NATCHITOCHE LA 71457	Northwestern State University Thomas Tilley 715 College Avenue NATCHITOCHE LA 71457 UNITED STATES Tel: (318)-3575594	Northwestern State University Thomas Tilley 715 College Avenue NATCHITOCHE LA 71457 UNITED STATES Tel: (318)-3575594

Account	Terms	Due Date	Account Rep	Schedule Date	
65	NET 30	11/18/2005	Brian Fontenot	10/19/2005	
Quotation	PO #	Reference	Ship VIA	Page	Printed
SQ-2139			Company Delivery	3	10/19/2005 4:51:02PM

L	Item	Description	Qty	Price	M	Discount	Amount
33	INSTALL-STD	Standard Installation of Computer	1		EA		
34	WAR-3YEAR-P/L	Three Years On-Site Parts and Labor	1		EA		
35		State Contract# 405031 Line# 01004					
36							
37	MISC-RACEWAY	Overfloor cable protection system-blk	20	\$2.20	EA		\$44.00
38		Overfloor Cable Protection, 10ft., Black, PVC, 3 W X 20/32 H in , 1-Channel Surfacr Mount. For Cable Up to 1/2 inch Diameter					
39		BILLED PER FOOT					

<b>Tax Details</b> LA-NONTAXED \$ 0.000		<b>Taxable</b>  <b>Total Tax</b> \$0.00 <b>Exempt</b> \$0.00 <b>Total</b> \$9,532.95  <b>Balance</b> \$9,532.95	\$9,532.95
--	--	---	------------



# SMART Expression™ 503

Mobile Multimedia Cabinet

## **Simplicity**

Access all multimedia equipment from a single location.

## **Mobility**

Move your multimedia system from room to room.

## **Connectivity**

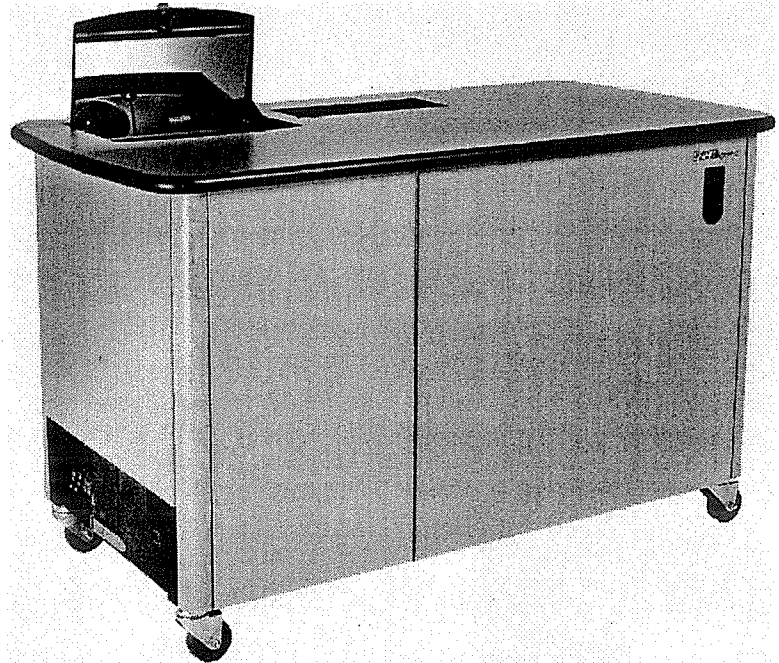
Add a laptop and instantly control all peripherals.

## **Security**

Lock the cabinet door and mirror flap to secure your equipment.

## **Flexibility**

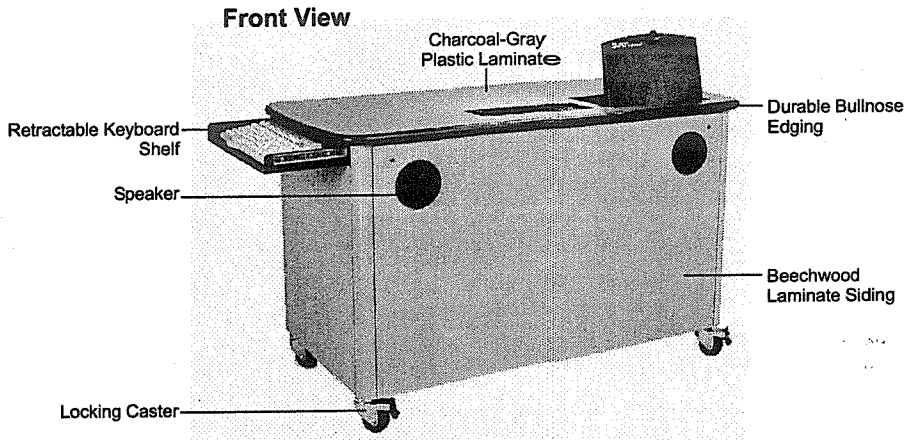
Choose the presentation tools that meet your needs.



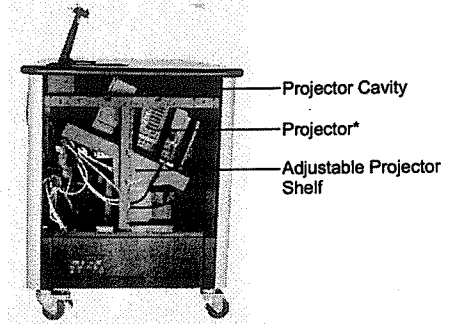
The Expression 503 mobile multimedia cabinet seamlessly integrates your choice of equipment in a secure, attractive unit. The 503 comes with installed cabling and a connection panel to simply add a computer, VCR or DVD player, printer and scanner. A projector cavity reduces projector noise while the adjustable mirror system reduces the distance to the projected image. A control panel with retractable cables, conveniently located on the top of the cabinet, allows you to quickly connect a laptop and control all peripherals.

With the SMART Expression cabinet, multimedia tools are housed in a single location that you can move from room to room as needed. Key locks on the door and mirror flap ensure that your valuable equipment is secure. You choose the multimedia tools you want and have them all ready to go at the flip of a switch, every time.

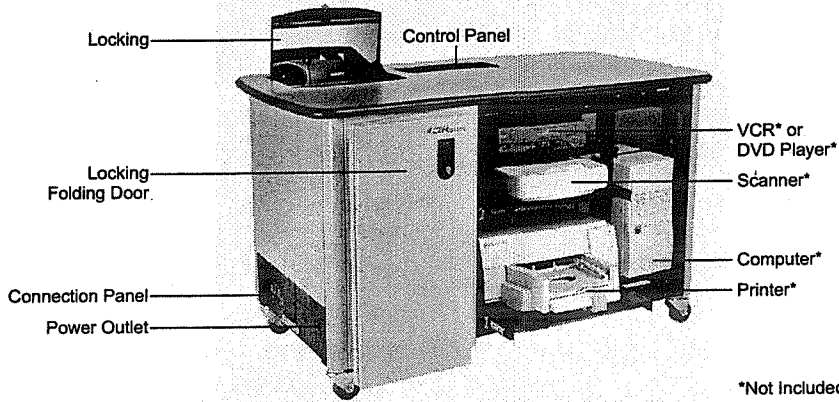
## Features



## Side View (side panel removed)



## Rear View



**Audio System** – Incorporates two 15-watt speakers, an amplifier and a two-source mixer

**SMART X-Port™ 10 Multimedia Switch** – Toggles serial data, computer video and audio between the internal computer and laptop

**Control Panel** – Includes the power switch, volume control and retractable cabling to connect a laptop

**Connection Panel** – Connects a SMART Board™ interactive whiteboard, external monitor, network, external audio system and modem

**Key Locks** – Lock door and mirror flap

**Peripheral Shelves** – Comes with one large pull-out, one large fixed and two small fixed shelves, which adjust easily to fit a variety of computers and peripherals

**Casters** – Roll easily over carpet or tile and lock to secure cabinet in place

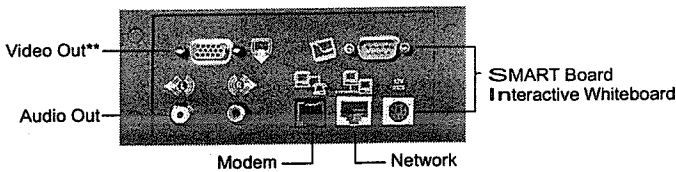
### Options

- Custom finishes
- Conversion kit for Macintosh computers with printer, video and serial adapters
- Multiple SMART Board interactive whiteboard

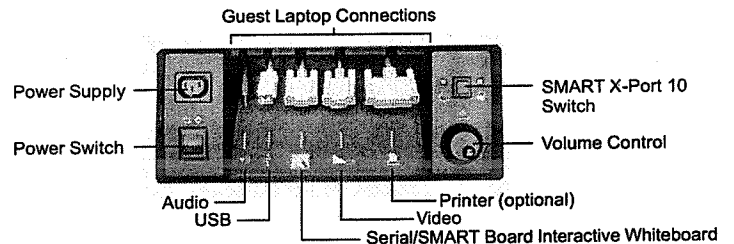
\*Not Included

## Connection Panel

\*\*If supported by the internal projector



## Control Panel



## Dimensions

**Finished Cabinet**  
**Maximum Size of Computer**  
**Projector Cavity**  
**Peripheral Cavity**

53 1/2" W x 33 3/4" H x 28 1/2" D  
 8 3/4" W 18 1/2" H x 20 1/2" D  
 14" W x 9" H x 18" D  
 29" W x 24" H x 18" D

(135.9 cm x 85.6 cm x 72.4 cm)  
 (22.2 cm x 47 cm x 52.1 cm)  
 (35.6 cm x 22.9 cm x 45.7 cm)  
 (73.7 cm x 61 cm x 45.7 cm)

Note: All shelves have a weight restriction of 50 lb. (22.7 kg)

For more information, visit:  
[www.smarttech.com/expression](http://www.smarttech.com/expression)

**SMART**  
 Technologies Inc.

*Bringing people and ideas together.™*

Suite 600, 1177 – 11th Avenue SW, Calgary, AB CANADA T2R 1K9  
 Toll-free 1.888.42.SMART  
 Tel. 403.245.0333 Fax 403.228.2500  
 e-mail: info@smarttech.com www.smarttech.com

SMART products are sold and supported through a worldwide network of resellers and distributors. Available from:



**NORTHWESTERN STATE**  
UNIVERSITY OF LOUISIANA  
Natchitoches, LA 71497

**Student Technology**  
*Watson Library, Room 113*

Telephone (318) 357-6482  
FAX (318) 357-6480

---

January 6, 2005

Mr. John Byrd  
Northwestern State University  
3329 University Parkway  
Leesville, LA 71446

Dear Mr. Byrd,

It is with pleasure that the STAT (Student Technology Advisory Team) has fully funded your grant proposal for Fiscal Year 2005-06 in the amount of \$9,532.95.

Ordering of equipment listed in the grant proposal will take place during the month of January.

Please be reminded that your grant was funded through Northwestern Student Technology Fees, all equipment purchased, therefore, must be used exclusively and directly for/by Northwestern students.

You are commended for, and encouraged to continue your efforts to enrich the learning environment for students at Northwestern State University. Your time, effort, and vision in service of the students are greatly appreciated. If you have questions or need additional information please contact me by phone or via email at: [long@nsula.edu](mailto:long@nsula.edu).

Sincerely,

A handwritten signature in cursive script that reads "Jennifer".

Jennifer Long  
Student Technology Fee

cc: Biology Department